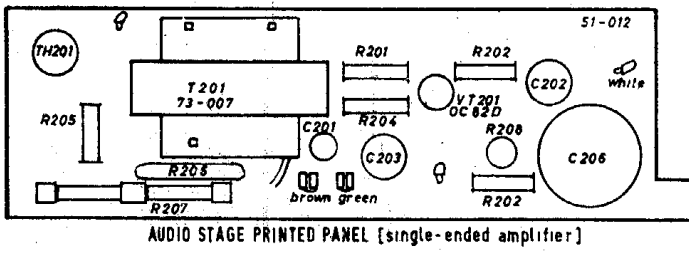


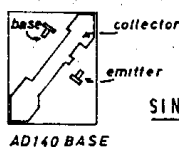
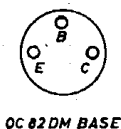
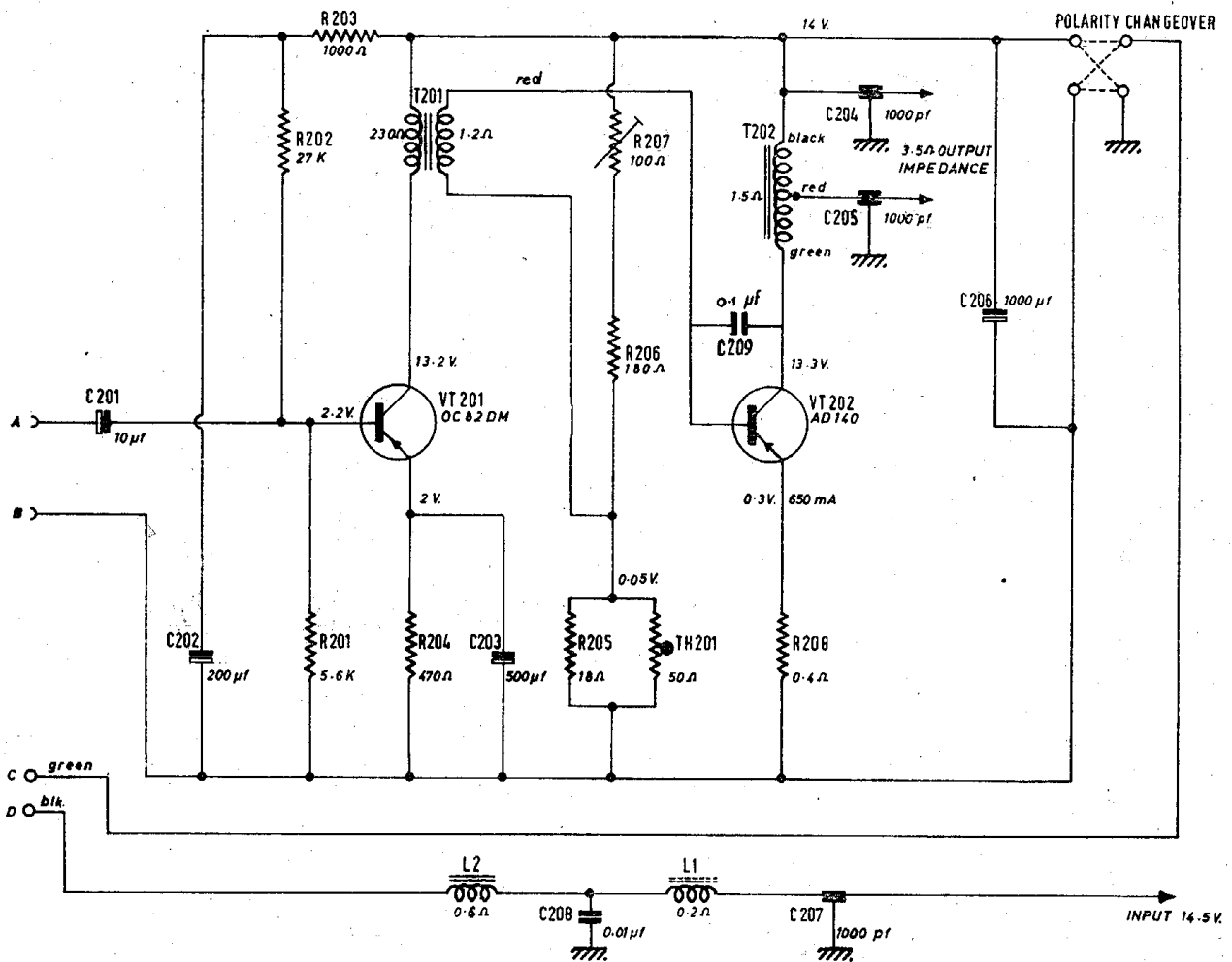
RADIOMOBILE CAR RADIO Models 900T, 920T

General Description: This series of car receivers includes **Model 900T** M.W./L.W. chassis with single-ended output stage; **Model 902T** an M.W.-only version of Model 900T; **Model 920T** M.W./L.W. chassis with push-pull output stage; and **Model 922T** M.W.-only version of Model 920T. There are also 6-volt battery versions of the single-ended output stage models. The I.F. of the M.W.-only models is 456 kc/s. whereas that of the M.W./L.W. models is 470 kc/s.

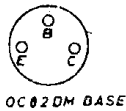
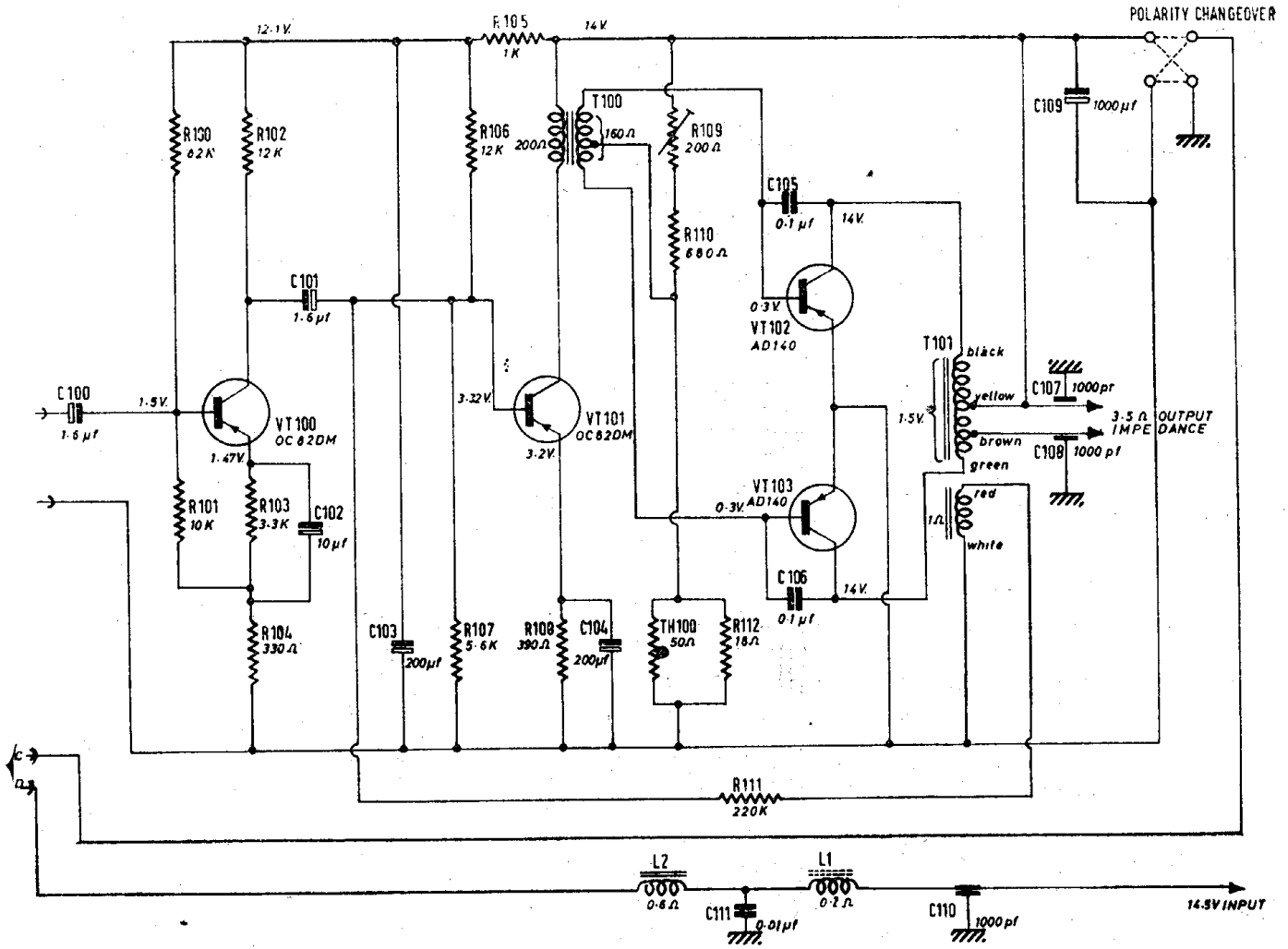
Power Supply: Both the 12-volt and 6-volt battery models incorporate polarity change-over facilities permitting operation from negative-earthed or positive-earthed car electrical systems.



CIRCUIT AND LAY-OUT DIAGRAMS—A.F. OUTPUT FOR SINGLE-ENDED MODELS

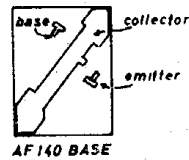


SINGLE-ENDED AUDIO OUTPUT STAGE



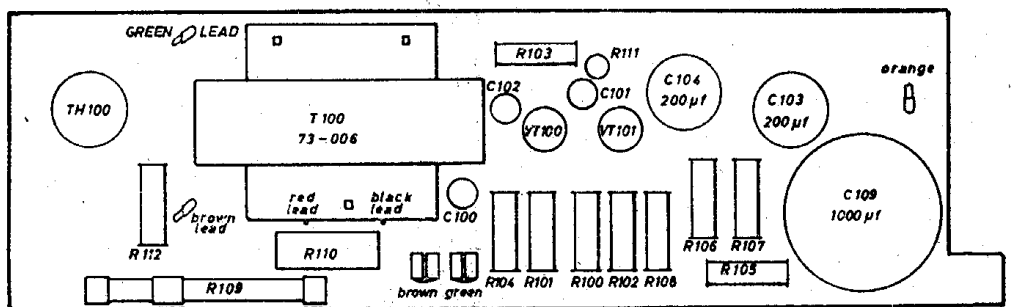
OC82DM BASE

PUSH-PULL AUDIO OUTPUT STAGE



AF140 BASE

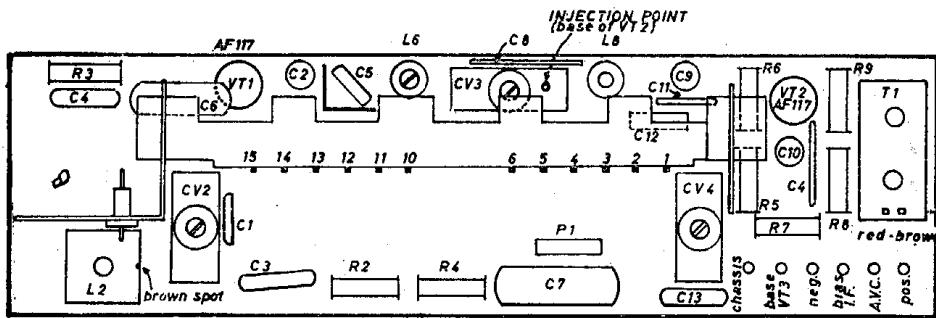
CIRCUIT AND LAY-OUT DIAGRAMS — A.F. UNIT FOR PUSH-PULL MODELS



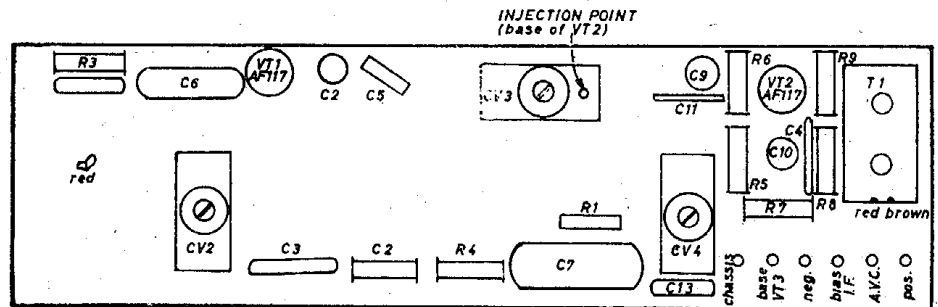
AUDIO STAGE PRINTED PANEL [push-pull amplifier]

Semiconductors: Single-ended output stage models: (VT₁) AF117; (VT₂) AF117; (VT₃) AF117; (VT₂₀₁) OC82DM; (VT₂₀₂) AD140. In 6-volt models, an additional A.F. preamplifier (OC71) stage is incorporated. Push-pull output stage models: (VT₁) AF117; (VT₂) AF117; (VT₃) AF117; (VT₁₀₀) OC82DM; (VT₁₀₁) OC82DM; (VT₁₀₂, VT₁₀₃) AD140. In all models, separate OA81 crystal diodes are used for detection and A.G.C. rectification.

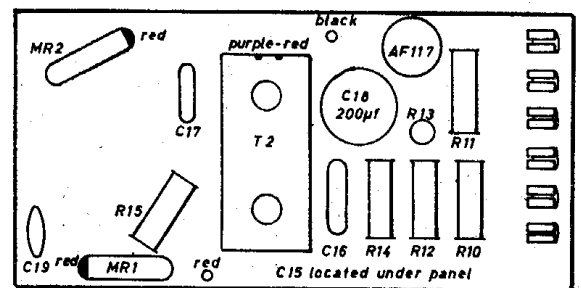
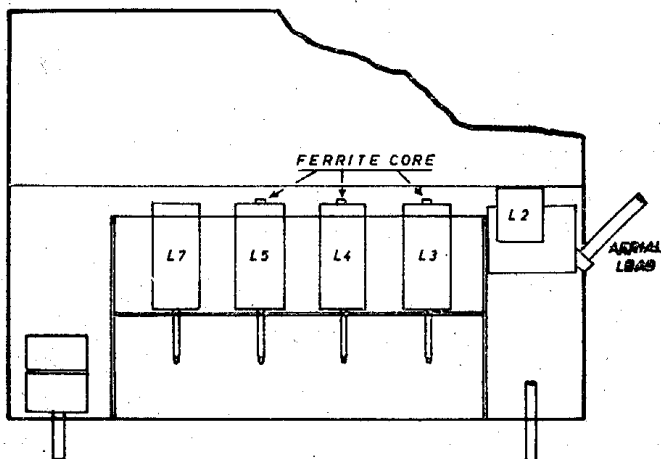
Output Stage Adjustment: For 12-volt models. Output stage current adjustment must be made after transistor replacement. (1) Disconnect green supply lead at point "C" on polarity changeover panel and insert an



MEDIUM AND LONG WAVE R.F. AND MIXER PRINTED PANEL



MEDIUM WAVE ONLY R.F. AND MIXER PRINTED PANEL

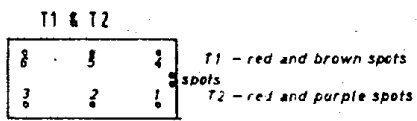
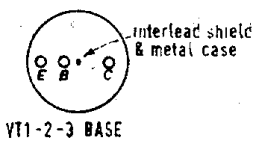
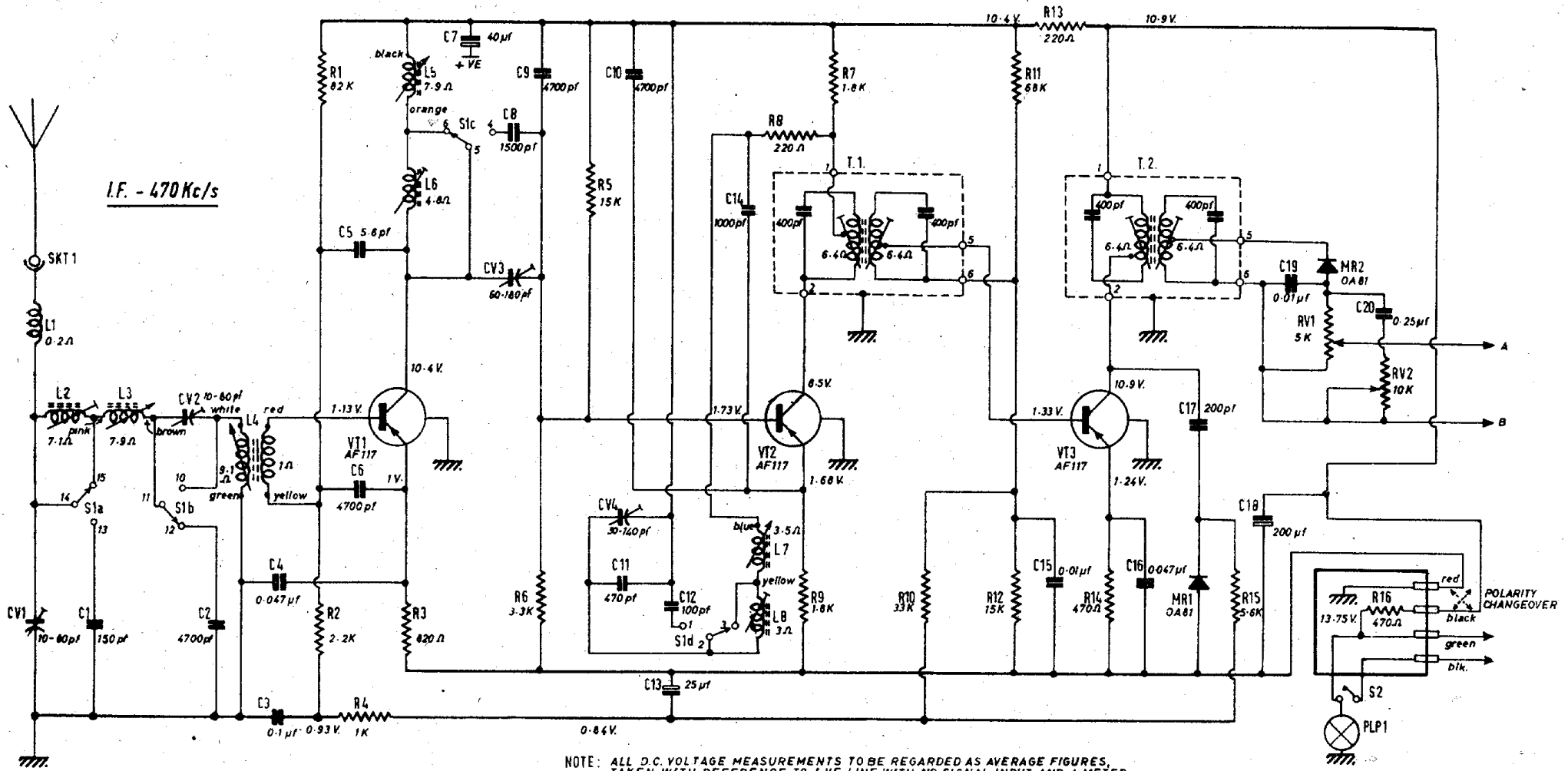


I.F. AMPLIFIER, DEMODULATOR & A.V.C. PRINTED PANEL

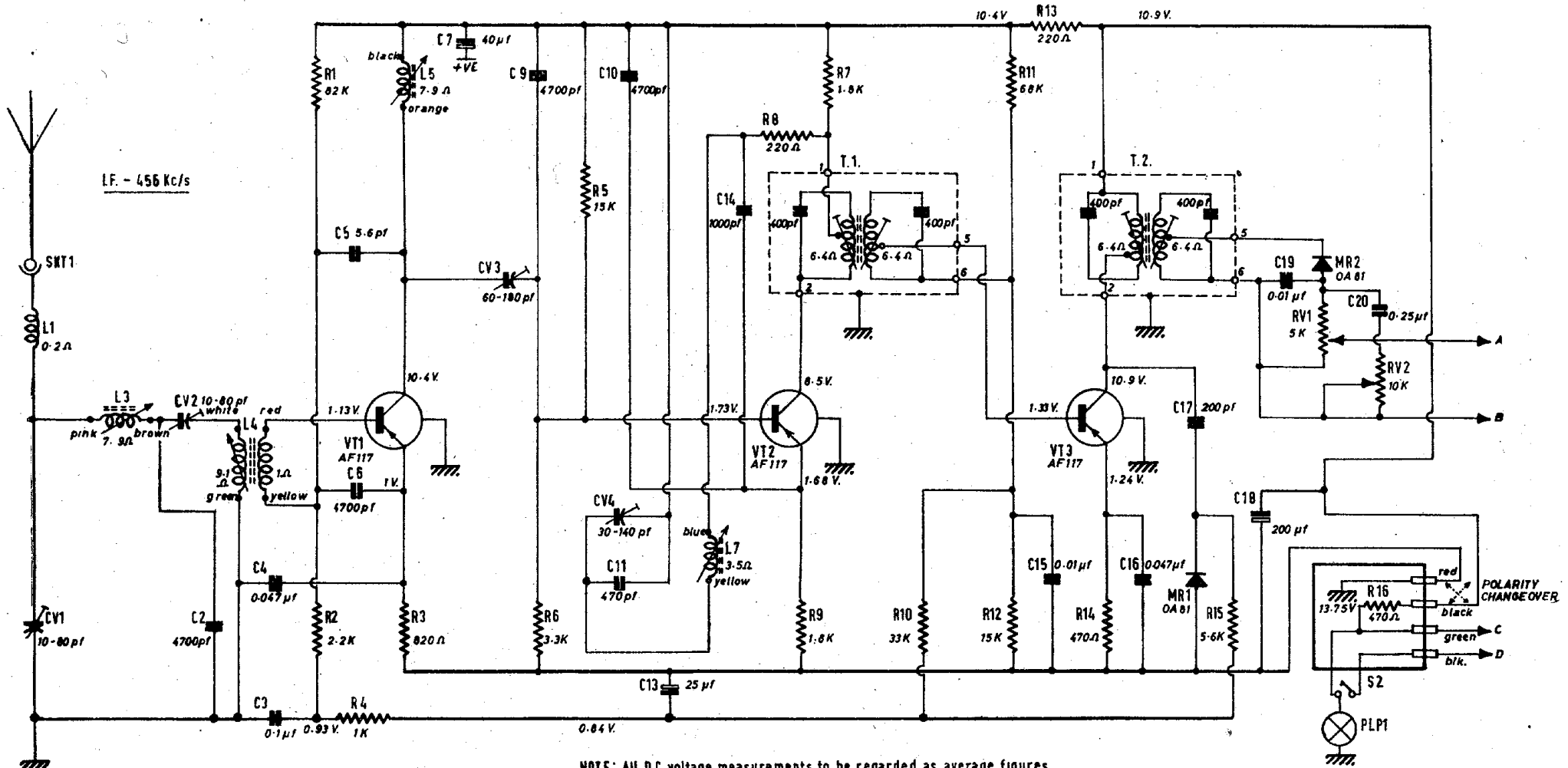
ammeter (1-amp. F.S.D.). (2) Remove pilot lamp. (3) Single-ended models. Adjust slider resistor R207 for 710 mA. Push-pull models. Adjust R109 for 150 mA. (4) Replace pilot lamp, reconnect green lead and seal slider resistor.

Dismantling: To gain access to I.F. printed panel: remove knobs, mask and dial case. Unsolder volume control tags from I.F. panel, and four leads connected to polarity changeover panel. Remove two self-tapping screws securing aerial trimmer bracket. Remove four 4BA Phillips-headed screws and dismantle front-plate complete with volume control and tuning spindle assembly from tuning carriage. Carefully withdraw I.F./detector panel. It is most important when removing panel to pull it out straight. *Do not lift* otherwise pluggable contacts may be damaged resulting in intermittent connection when reassembling. Be sure to replace all PK screws in cover otherwise serious interference may result. Upon re-installation adjust aerial trimmer on weak signal on about 1200 kc/s. otherwise performance may be seriously affected.

Alignment: I.F. 456 or 470 kc/s., see earlier note (T2, T1); M.W. 520 kc/s., pointer extreme right (CV4); 1100 kc/s. (CV3, CV2, CV1). L.W. 150 kc/s., pointer extreme right (L8); 180 kc/s. (L6, L2).

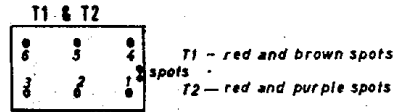
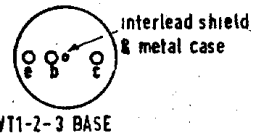


MEDIUM AND LONG WAVE MODEL - R.F., MIXER, I.F. AMPLIFIER & DEMODULATOR STAGES.

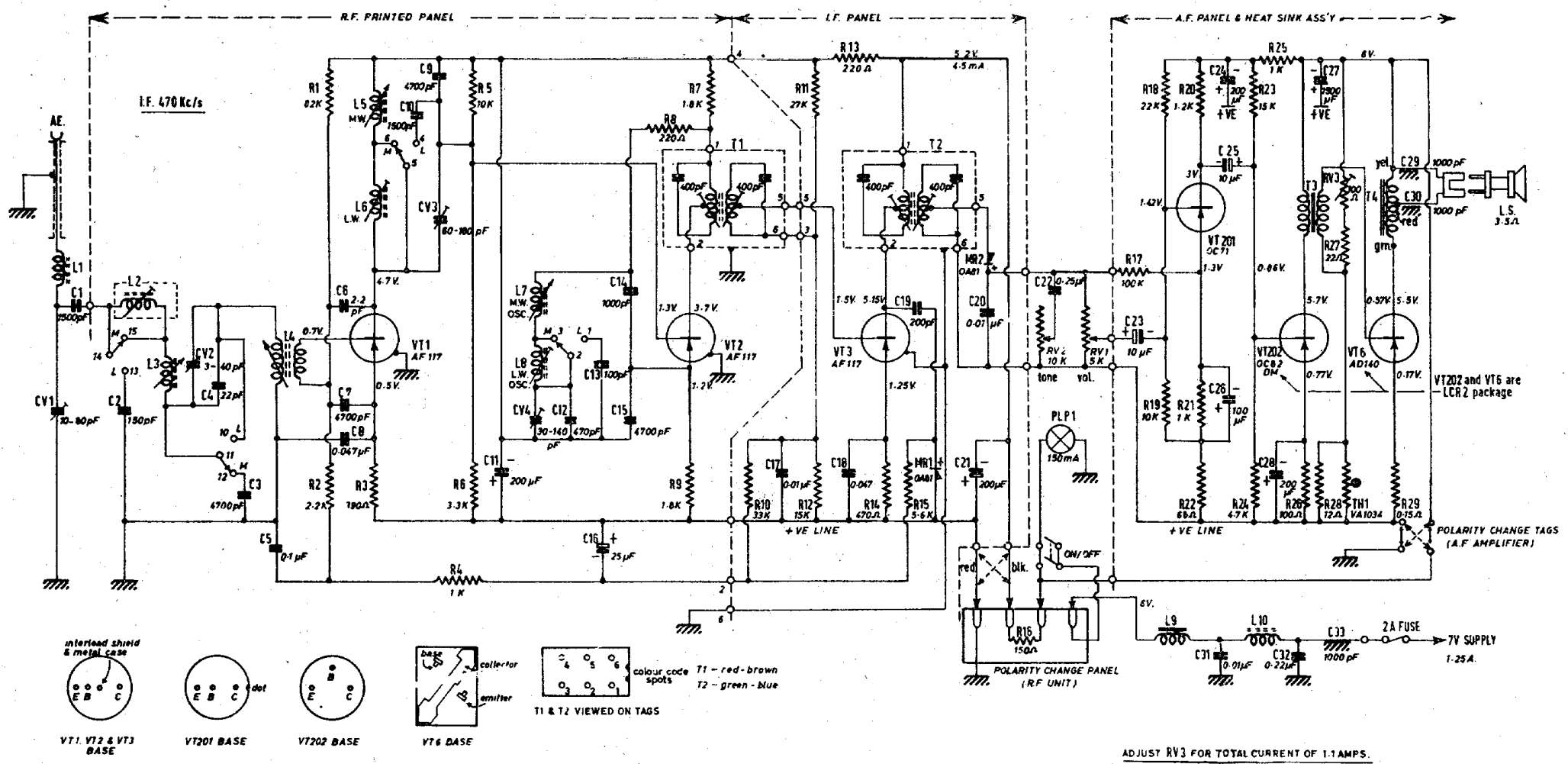


RADIOMOBILE

NOTE: All D.C. voltage measurements to be regarded as average figures, taken with reference to +VE line with no signal input and a meter having a resistance of 20,000 ohms per volt
 NO UNEARTHED A.C. POWERED TEST EQUIPMENT OR UNEARTHED SOLDERING IRONS SHOULD EVER BE USED.



MEDIUM WAVE ONLY - R.F., MIXER, I.F. AMPLIFIER, and DEMODULATOR STAGES



CIRCUIT DIAGRAM—SIX-VOLT VERSION OF RADIOMOBILE 900T SERIES

RADIOMOBILE