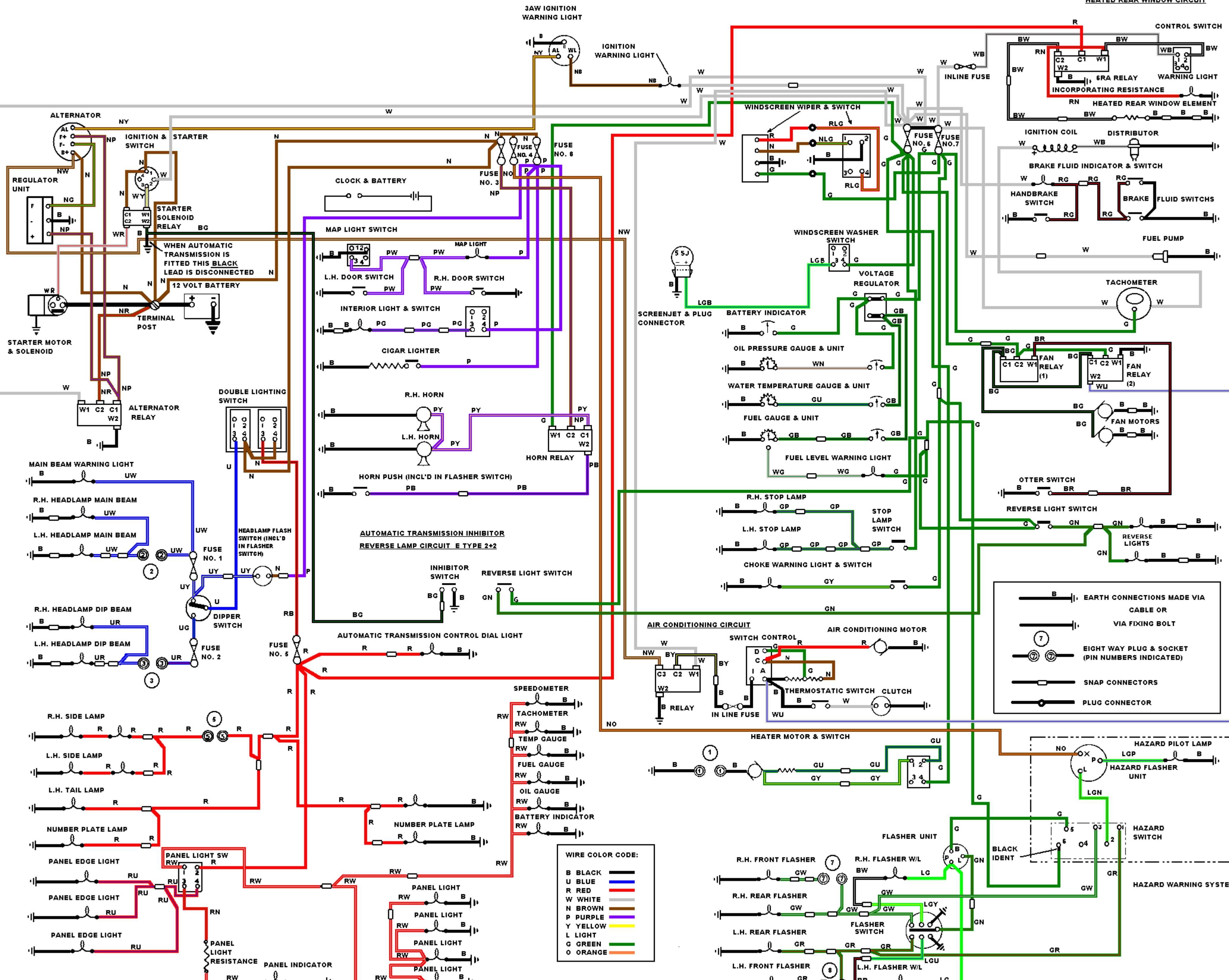


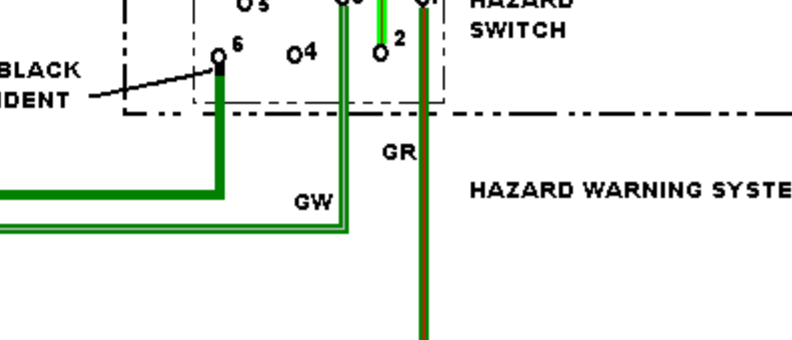
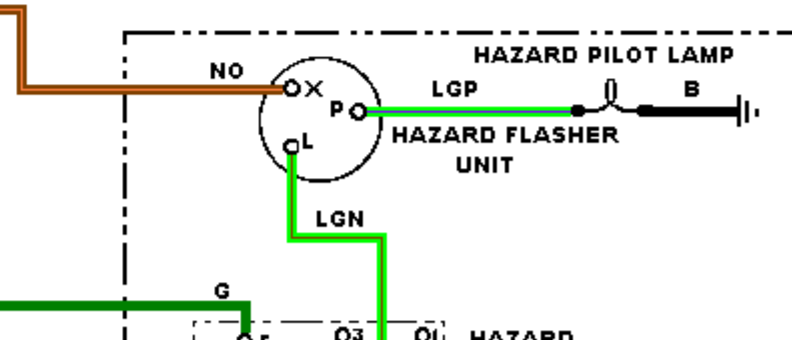
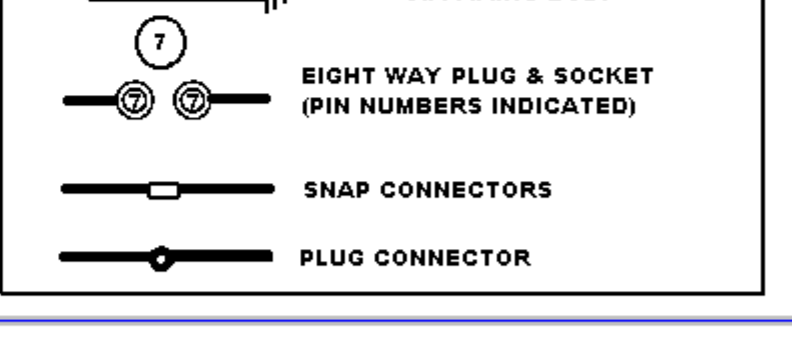
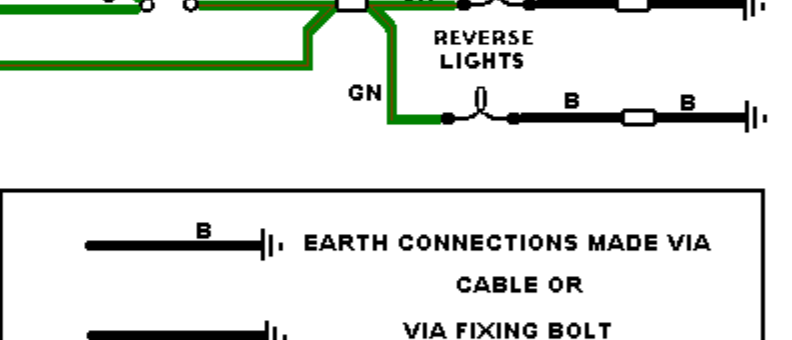
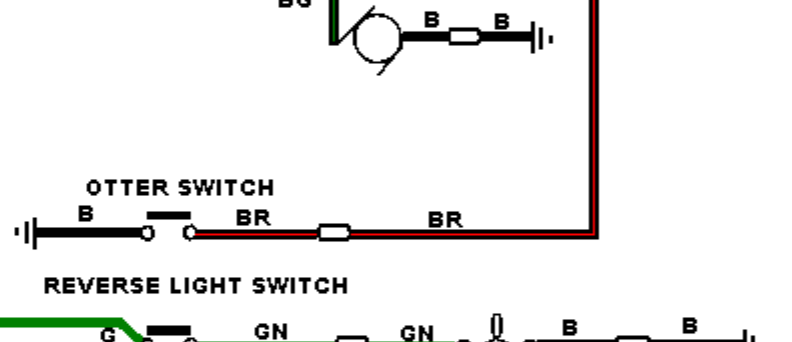
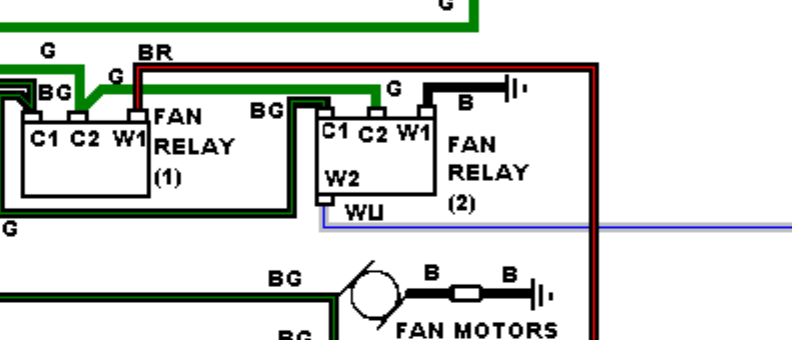
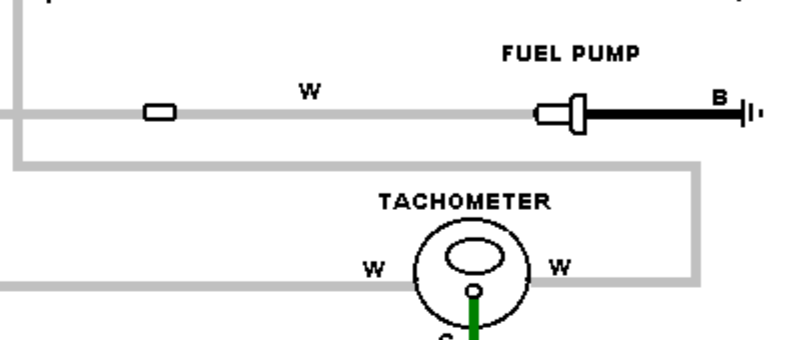
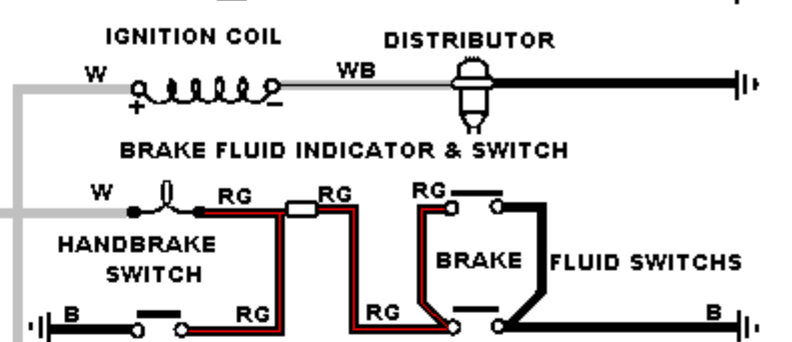
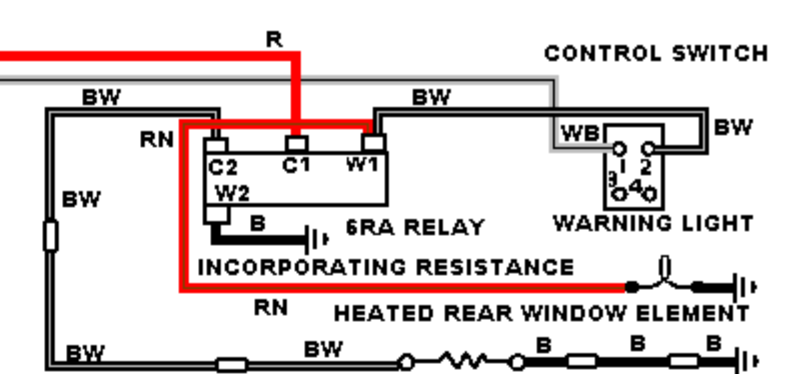
HEATED REAR WINDOW CIRCUIT



3AW IGNITION WARNING LIGHT



IGNITION WARNING LIGHT



WIRE COLOR CODE:

B	BLACK
U	BLUE
R	RED
W	WHITE
N	BROWN
P	PURPLE
Y	YELLOW
L	LIGHT
G	GREEN
O	ORANGE

- B — EARTH CONNECTIONS MADE VIA CABLE OR VIA FIXING BOLT
- ⊙ — EIGHT WAY PLUG & SOCKET (PIN NUMBERS INDICATED)
- SNAP CONNECTORS
- PLUG CONNECTOR